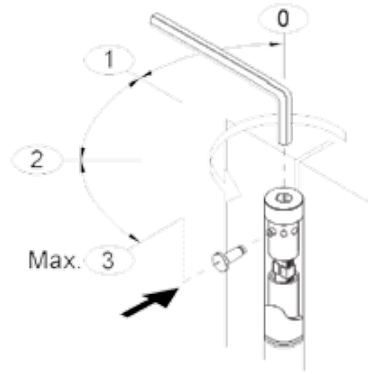
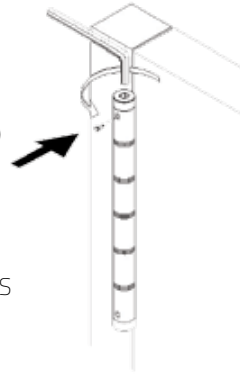
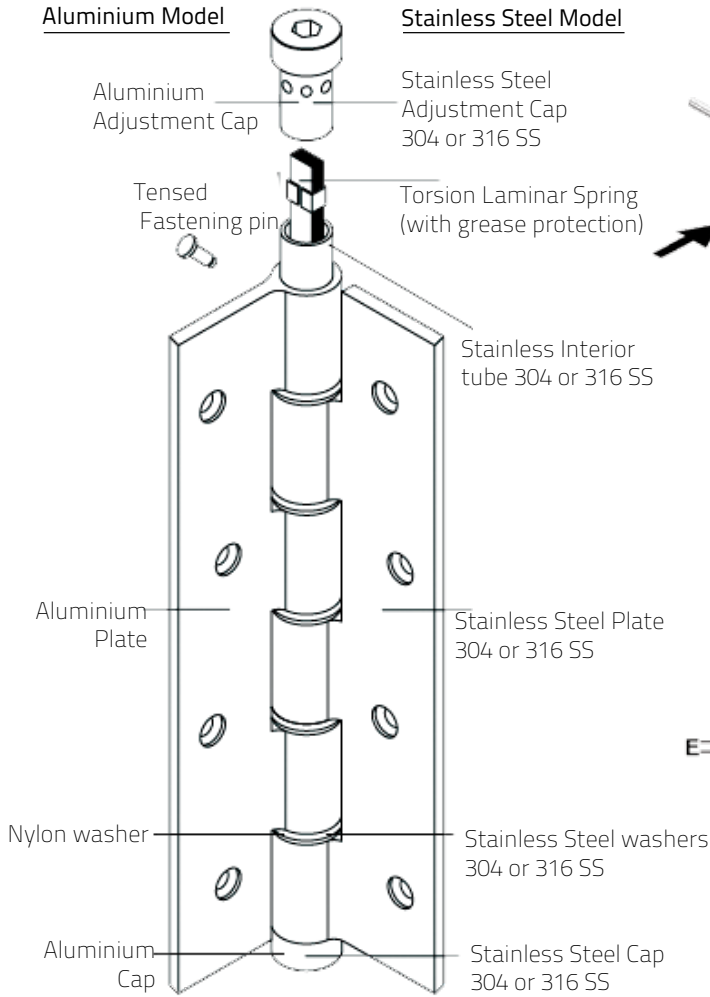


Spring Hinge SA180 Technical Data

Aluminium, Zinc, 304 & 316 Marine Grade Stainless Steel

Anatomy of a Single Action Spring Hinge:

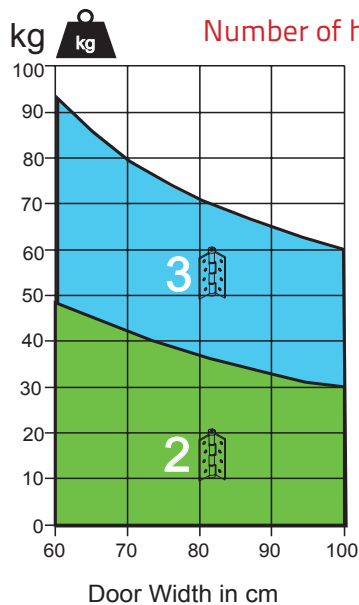
SA180 Adjustment Instructions:



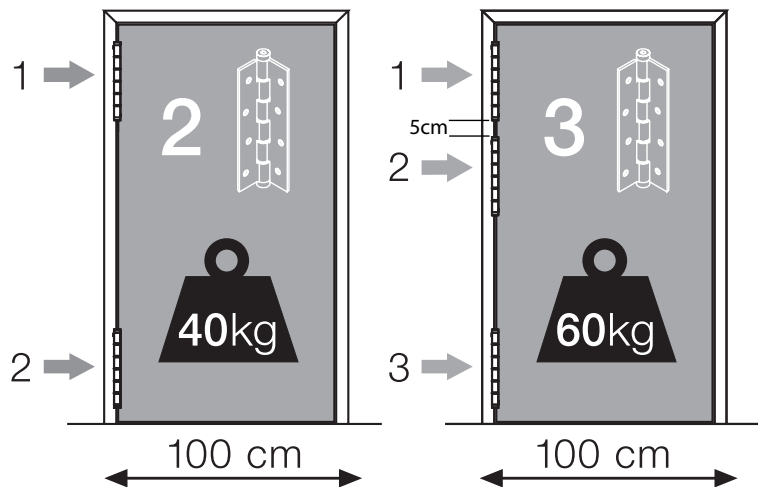
Single Action Hinge Size and Dimensions

All measurements in mm

Model	SA180 Alum & ZP	SA180 SS & S3
A	Ø16	Ø18
B	180	180
C	80	80
D	4	3
E	Ø5	Ø5



Number of hinges required per door based on door weight & width



Spring Hinge SA180 Functional Data

Aluminium, Zinc, 304 & 316 Marine Grade Stainless Steel

Now there is no longer a need for unsightly door closers, the SA180 family of Single Action Spring Hinge are designed to automatically close a door with a subtle visual appearance. It is sleek, stylish and simple. Made in Spain by Justor the SA180 is highly functional and totally adjustable, ideal for all doors that weigh up to 92Kg (refer graph).

Simplistically, the spring will act as a door closer and close the door once opened. Made out of Aluminium, Zinc or AISI 304 or 316 Stainless Steel the SA180 Single Action Spring Hinge is ideal for internal or external applications. Once installed the SA180 spring hinge can be adjusted to bring the door back quickly or slowly via multiple tension settings. Each setting provides detailed control of door closure speed. Adjustments can be made without having to take the door down.

Currently the SA180 spring hinge is being used on perimeter doors, pool doors, gates, front doors, large feature doors, office doors & WC doors, just to name a few. The SA180 has been installed in Restaurants, Hospitals, Commercial Buildings, Apartments, Boats, Residential Environments and general projects of all sizes throughout Australia and New Zealand

An added advantage of the SA180 is its appearance; aesthetically pleasing to the eye, it is sleek and has clean lines. Cost effective and highly functional, it is a real and effective alternative to traditional and unsightly door closers and closing solutions. It's guaranteed for 2 years and available in a range of finishes and base materials; the Justor SA180 is hard to overlook.

The SA180 has won international design awards, and is made to exacting European standards in Spain by Justor. The SA180 is a maintenance free solution, no periodic greasing or adjustments required. A smart design. The SA180 represents a smarter option when it comes to design and aesthetics.

SA180 Quick Facts:

- Spring Resistance + 500,000 cycles
- Aluminium or 304 & 316 Stainless Steel
- Resistant to extreme Climatic Conditions (Cold and Humidity)
- Maximum resistance to bending
- Up to 92Kg in Door Weight
- Torsion Spring not a Coil Spring
- Variable Closing Strength (speed)
- Highly Efficient 180° Working Aperture
- For Wood or Aluminium Doors
- Slim Profile vs.. Bulky Door Closer
- Quick & Simple Installation
- No Periodical Greasing Required
- Available Finish: Stainless Steel, Silver, Bronze or Gold (by request)
- Manufactured in Spain and comes with a 2 Year Manufacturer's Guarantee

new



Anodized Black

new



Aluminium PC White

new



Zinc



Anodized Silver

Ideal for welding onto metal jambs & doors



304 & 316 Stainless Steel

316 marine grade ideal for sea air environments

Where SA180 is being used

- Residential Environments
- Apartment Buildings
- Hotels of All Sizes
- Commercial Environments
- Industrial Estates
- Hospitals
- Restaurant Kitchens

Order Codes:

Base Material: Aluminium

- BISA180AS - Anodized Silver
- BISA180BLK - Anodized Black - new
- BISA180WHT - Aluminium PC White - new
- BISA180NB - Anodized Black (Non Sprung) - new
- BISA180NW - Aluminium PC White (Non Sprung) - new
- BISA180AB - Anodized Bronze (by request)
- BISA180AG - Anodized Gold (by request)

Base Material: Zinc

- BISA180ZP - Zinc - new

Base Material: Stainless Steel

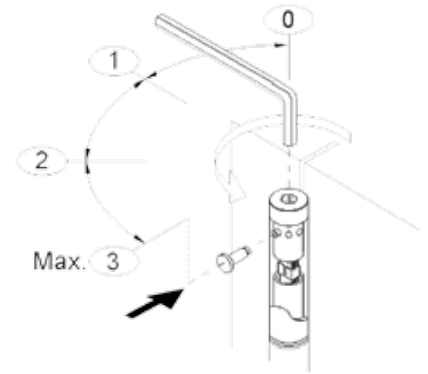
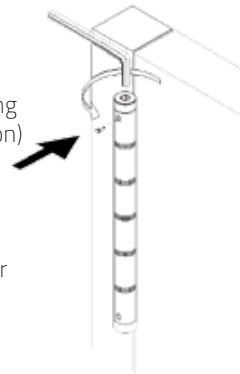
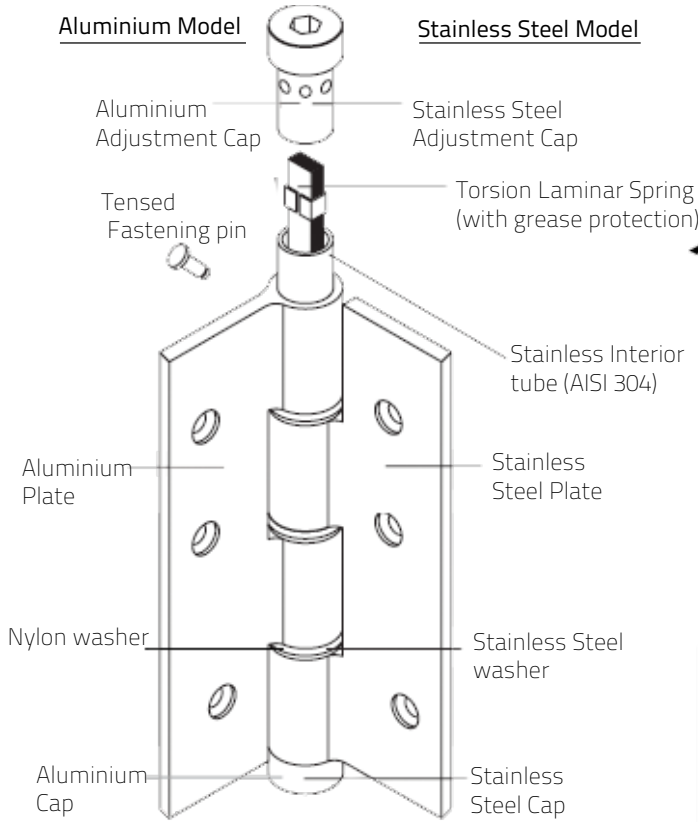
- BISA180SS - 304 Marine Grade SS
- BISA180S3 - 316 Marine Grade SS - new

Spring Hinge SA120 Functional Data

Aluminium and 304 Stainless Steel

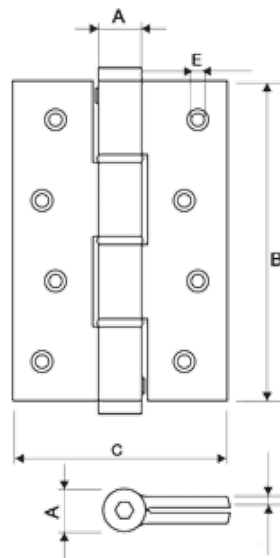
Anatomy of a Small Single Action Spring Hinge:

SA120S Adjustment Instructions:



Where SA120 can be used

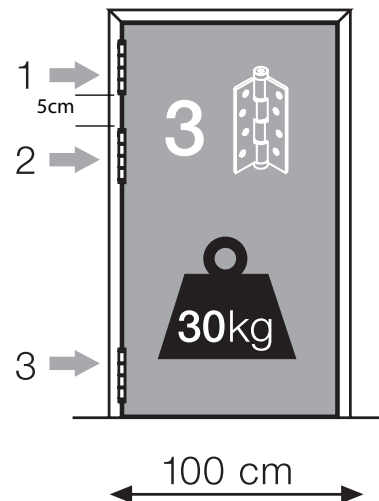
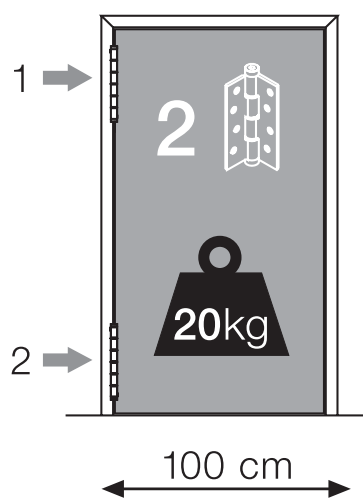
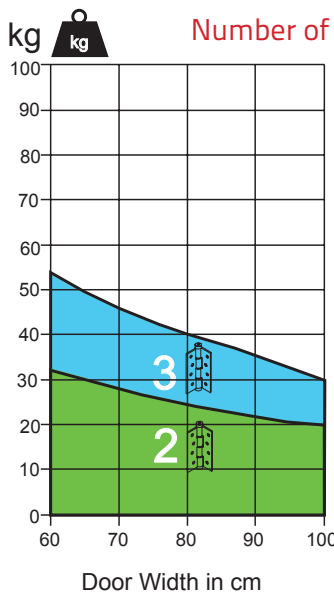
- Commercial Environments
- Residential Environments
- Apartment Buildings
- Restaurant Kitchens
- Hotels of All Sizes
- Industrial Estates
- Hospitals
- Gates
- Function
- Front Doors
- Office Doors
- WC Entry Doors
- Perimeter Doors
- Doors Leading to Pools



Dimensional Information:

Measurements Table (in mm)

Model	SA120	SA120SS
A	Ø16	Ø17
B	120	120
C	80	80
D	4	2.5
E	Ø5	Ø5



Spring Hinge SA120 Functional Data

Aluminium & 304 Stainless Steel

Now there is an innovative and cost effective automatic door closing solution for small or light weight doors. The new SA120 Small Single Action Spring Hinge is an extension of the enormously popular larger SA180 (formally the SA58). The new SA120 is the same in all respects to the SA180, but smaller. It's been designed to provide the same functionality as the SA180 but on smaller, lighter weight doors.

The SA120 has been designed to carry doors that weigh up to 55Kg (refer graph) and is ideal for internal or external applications; wherever a door needs to return to a closed position without assistance. The SA120 Single Action Spring Hinge is designed to automatically close a door with a subtle visual appearance. It is sleek, stylish and simple. Made in Spain by Justor the SA120 is highly functional and totally adjustable.

Simplistically, the spring will act as a door closer and close the door once opened. Made out of Aluminium or AISI 304 Stainless Steel the SA120 Single Action Spring Hinge is ideal for internal or external applications. Once installed the SA120 spring hinge can be adjusted to bring the door back quickly or slowly.

The Justor SA120 has multiple tension settings for detailed control of door closure speed and adjustments can be made without having to take the door down. Alternatively, by reversing the tension on the SA120, the spring can be set to assist in the opening of a door.

The SA120 spring hinge can be used on perimeter doors, pool doors, gates, front doors, large feature doors, office doors & WC doors, just to name a few. The SA120 is ideal for Restaurants, Hospitals, Commercial Buildings, Apartments, Boats and Residential houses and general projects of all sizes.

An added advantage of the SA120 is its appearance; aesthetically pleasing to the eye, it is sleek and has clean lines. Cost effective and highly functional, it is a real and effective alternative to traditional and unsightly door closers and other closing solutions. It's guaranteed for 2 years and available in a range of finishes; the Justor SA120 is hard to overlook. Made to exacting European standards in Spain by Justor. The SA120 is a maintenance free solution, no periodic greasing or adjustments required.

The SA120 represents a smarter option when it comes to design and aesthetics.



Order Codes:

- BISA120AS - Anodized Silver
- BISA120NB - Anodized Black (*Non Sprung*) - new
- BISA120NW - Aluminium PC White (*Non Sprung*) - new
- BISA120AB - Anodized Bronze (by Request)
- BISA120SS - 304 Grade SS

SA120 Range Quick Facts:

- Spring Resistance +500,000 cycles
- Automatically Closes Door
- Resistant to extreme Climatic Conditions (Cold and Humidity)
- Maximum resistance to bending
- Up to 55Kg in Door Weight
- Torsion Spring not a Coil Spring
- Variable Closing Strength (speed)
- Highly Efficient 180° Working Aperture
- Solid and Stylish Design
- For Wood or Aluminium Doors
- Slim Profile vs.. Bulky Door Closer
- Quick & Simple Installation
- No Periodical Greasing Required
- Detailed Instructions Included
- Manufactured in Spain with a 2 Year Manufacturer's Guarantee

Spring Hinge ST150 Functional Data

Quick Fix Interleaf 304 Aluminium & Stainless Steel

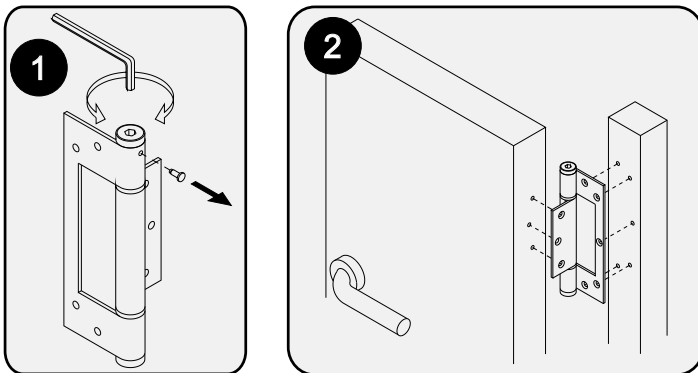
Ideal as an alternative to a traditional door closer for commercial and domestic aluminium framed swing door.

Commitment:

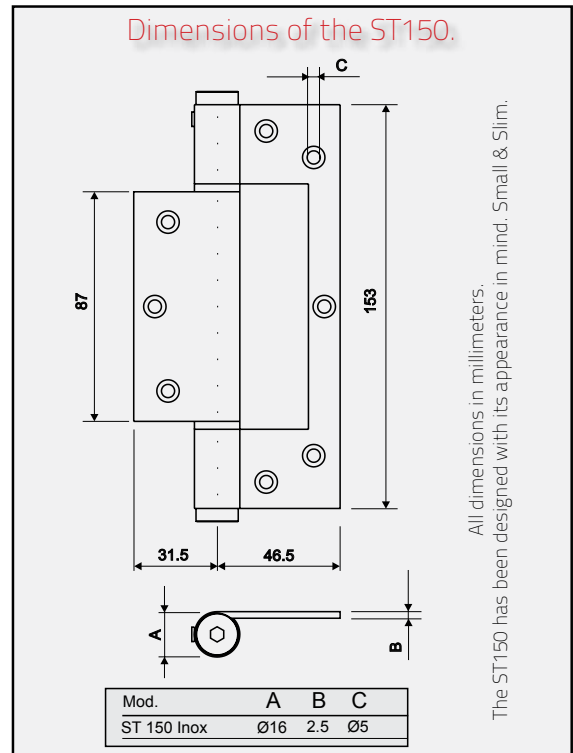
Justor by Bellevue, for over 10 years a joint commitment to providing unique, high quality, practical products to the Australian and New Zealand building market.

Installation of the ST150.

Designed for self-latching doors that fit the following profile: aluminium framed doors and jambs, steel jambs, doors where there is little clearance between the door and the jamb.



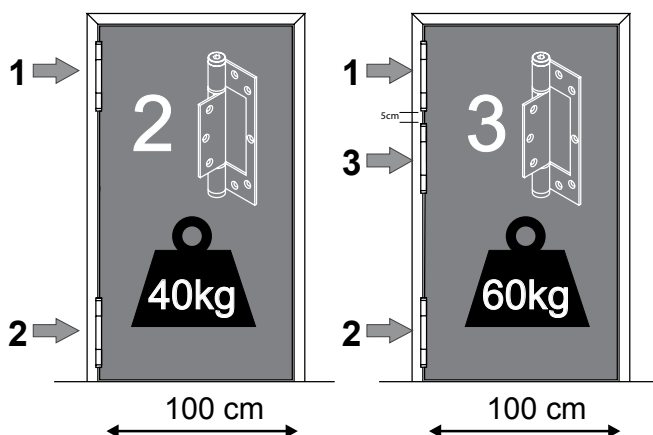
Easy 2 step installation process. Step 1, insert allen key into head and turn to set tension reinsert pin. Step 2, screw or rivet hinge to door and door jamb. Easy. You're done.



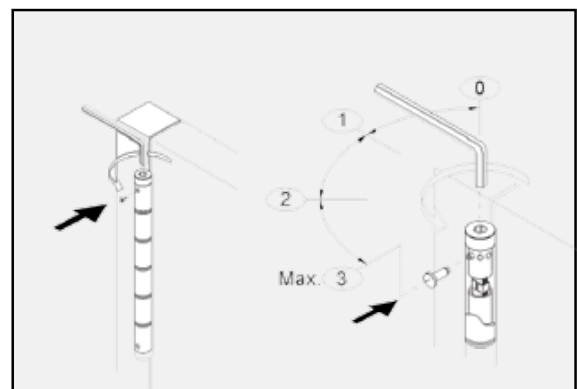
Handing:

The ST150 is a non handed hinge, allowing for a non complicated 2 step installation process. Just turn the hinge upsidedown for opposite handing.

Number of hinges required per door



Adjustment of the ST150.



Multiple adjustment points for increasing or decreasing the spring's tension. Simple function, pull pin, turn head with allen key and replace pin. No need to remove door

Spring Hinge ST150 Functional Data

Quick Fix Interleaf 304 Aluminium & Stainless Steel

Automatically closing an *Aluminium* framed door is now so much easier.

Now there is no longer a need for unsightly door closers for **aluminium framed** self-latching doors or doors with steel jambs, the ST150 Single Action Quick Fix Spring Hinge is designed to automatically close doors with a subtle visual appearance. Its sleek, stylish and simple design makes it ideal for all environments. Made in Spain by Justor, the ST150 is highly functional and totally adjustable, ideal for all doors that weigh up to 60Kg.

The Justor ST150 has been specifically designed as a quick fix hinge for **aluminium framed** self-latching doors including doors with **steel or aluminium jambs**. Also practical for doors where there is very little gap between the door and the jamb as the hinge is only **2.5mm** thick.

Simplistically, the spring acts as a door closer would, by bringing the door back to the closed position once opened. Made out of AISI 304 Stainless Steel or aluminium the ST150 Single Action Spring Hinge is ideal for internal or external applications in any environment. Once installed the ST150 spring hinge can be adjusted to bring the door back quickly or slowly.

The Justor ST150 has multiple tension settings for detailed control of door closure speed and adjustments can be made without having to take the door down, alternatively, by reversing the tension on the ST150, the spring can be set to assist in the opening of the door.

An added advantage of the ST150 is its appearance; aesthetically pleasing to the eye, it is sleek with clean lines. Cost effective and highly functional, it is a real and effective alternative to traditional and unsightly door closers and other closing solutions. It's guaranteed for 2 years and is stocked locally in large quantities by Bellevue in Melbourne; the Justor ST150 is hard to overlook.



ST150 Quick Facts:

The ST150 is designed to bring an open door that can weigh up to 60Kg back to a closed position without assistance and without the need for a traditional door closer. Aesthetically pleasing to the eye, highly cost effective and totally adjustable, it is an ideal alternative to traditional and unsightly door closers.

Due to its smart construction, it is a small diameter hinge that does not require periodic greasing. It comes with a 2 year guarantee and is made in Spain by Justor.

The ST150 ... the smart choice

ST150 Quick Facts:

- Spring Resistance + 500,000 cycles
- Aluminium & Stainless Steel AISI 304
- Resistant to extreme Climatic Conditions (Cold and Humidity)
- Maximum resistance to bending
- Up to 60Kg in Door Weight
- Torsion Spring not a Coil Spring
- Variable Closing Strength (speed)
- Highly Efficient 180° Working Aperture
- Solid and Stylish Design
- For Wood or Aluminium Doors
- Slim Profile vs.. Bulky Door Closer
- Quick & Simple Installation
- No Periodic Greasing Required
- Manufactured in Spain and comes with a 2 Year Manufacturer's Guarantee

Order Codes:

- BIST150 - Stainless Steel
- BIST150WHT - Aluminium PC White - **new**
- BIST150BLK - Anodized Black - **new**