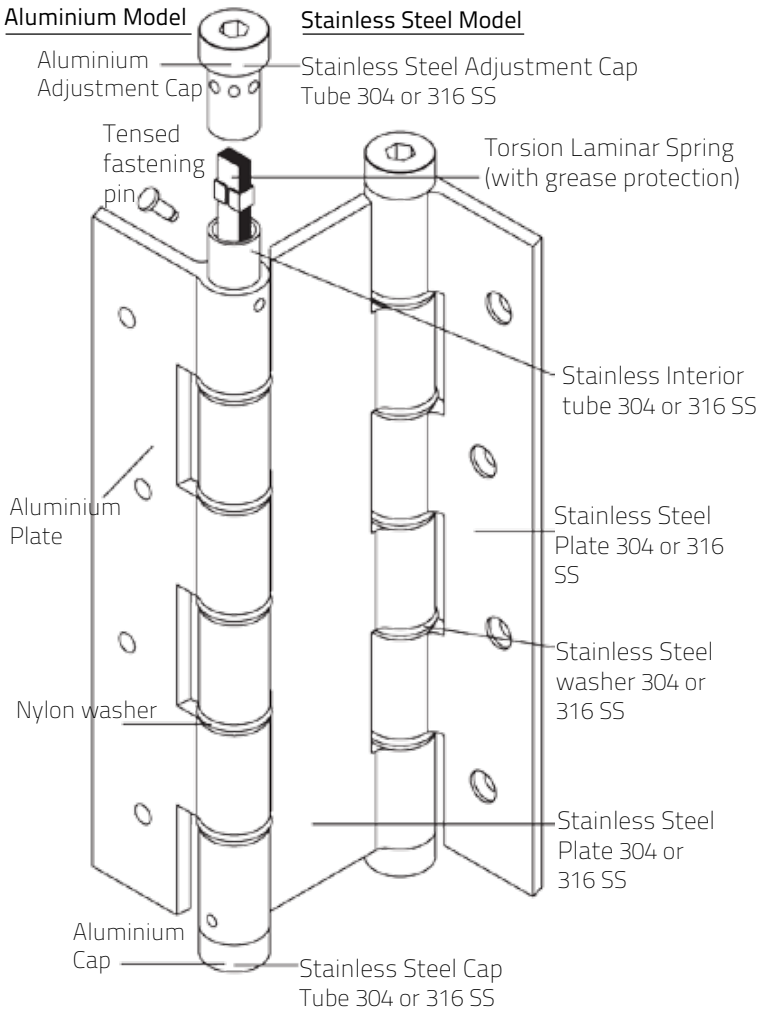


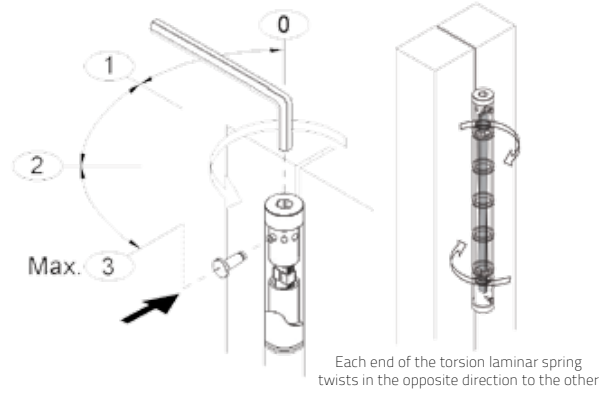
Spring Hinge DA180 Technical Data

Aluminium, Zinc, 304 & 316 Stainless Steel

Anatomy of a Double Action Spring Hinge:



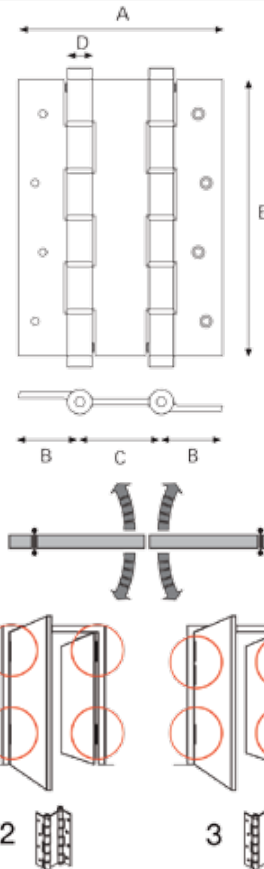
DA180 Adjustment Instructions:



Dimensional Information:

All measurements in mm

Model	DA180 SS, S3	DA180 ZP	DA180 A	DA180 E	DA180 AA
A	133	133	113	96	157
B	40	40	40	27	48.5
C	53	53	53	42	60
D	Ø18	Ø16	Ø16	Ø16	Ø16
E	180	180	180	180	180
Leaf Thickness					
	3	3	4	4	4
Max Door Thickness					
	40	40	40	30	50

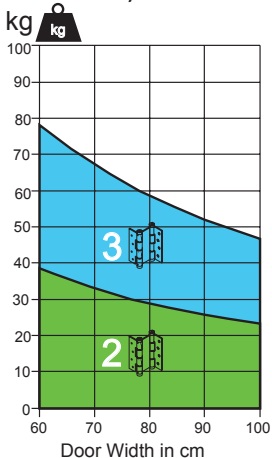


Where DA180 is being used

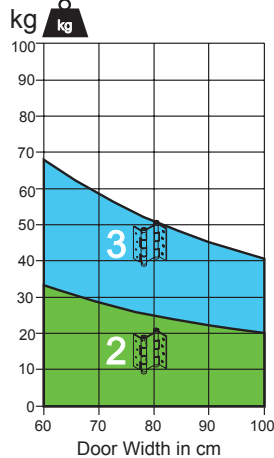
- Residential Environments
- Apartments Buildings
- Hotels of All Sizes
- Commercial Environments
- Industrial Estates
- Hospitals
- Restaurant Kitchens
- Boats, Cars & Trains

Number of Hinges Required and Position

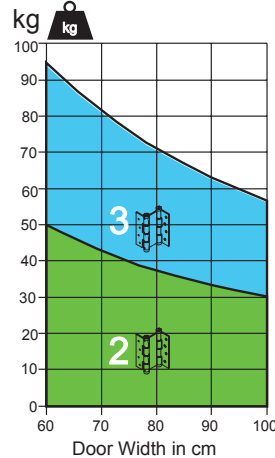
DA180A, ZP & SS



DA180AA



DA180E



Spring Hinge DA180 Functional Data

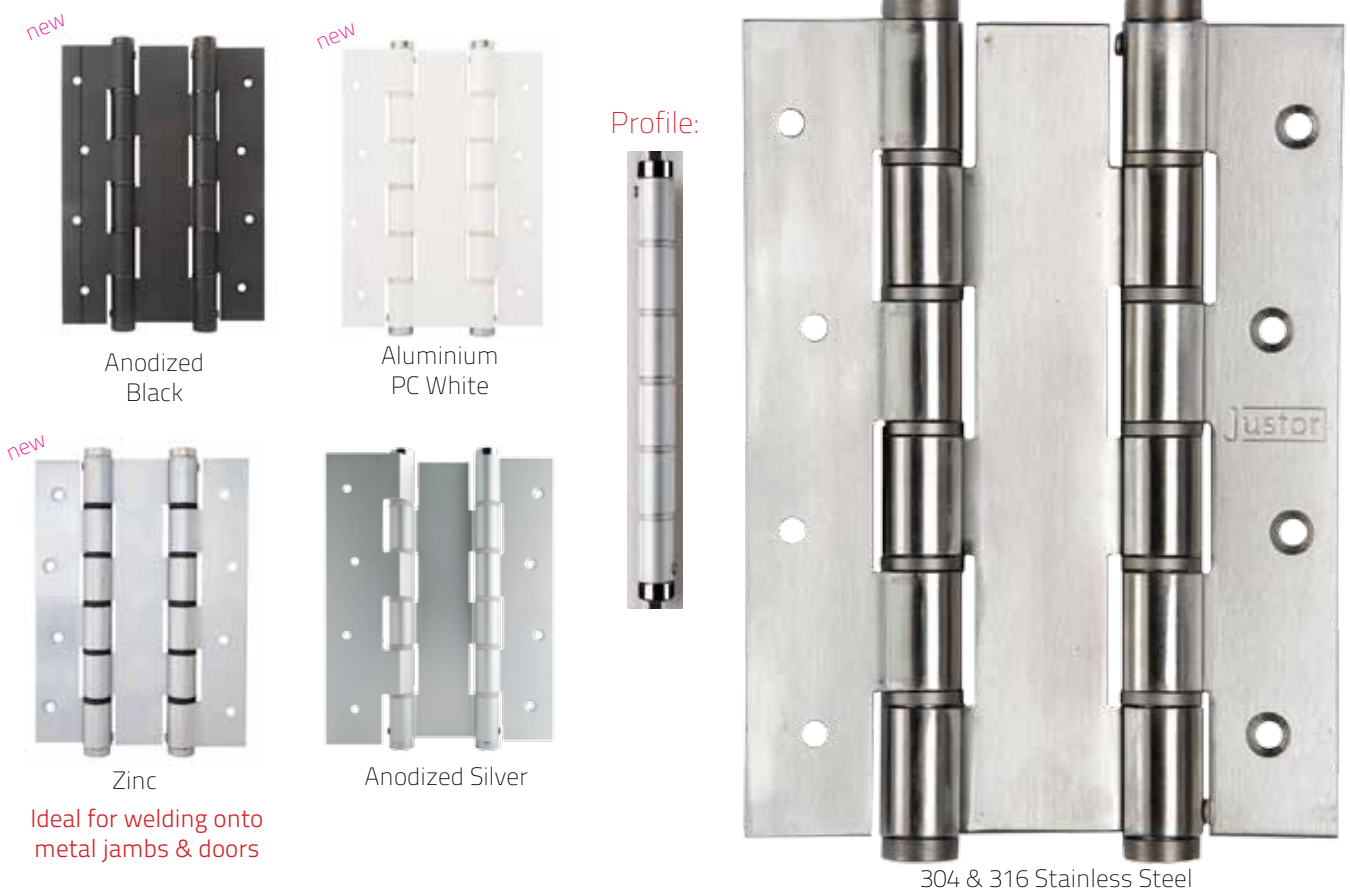
Aluminium, Zinc, 304 & 316 Stainless Steel

No need for unsightly door closers or expensive pivot kits, the DA180 Double Action Spring Hinge is sleek, stylish and simple. Made in Spain by Justor, the DA180 is highly functional and totally adjustable, ideal for all doors that weigh up to 95Kg (refer graph).

Simplistically the function of the DA180 double action spring hinge is to bring a door that swings open in both directions back to the centre position i.e. a kitchen door in a restaurant. Made out of Aluminium, Zinc or Stainless Steel the DA180 Double Action Spring Hinges are ideal for internal or external applications, wherever a dual swing door (a door that swings in both directions such as a pivot door does) needs to return to a centre position without assistance.

Once installed the DA180 spring hinge can be adjusted to bring the door back quickly or slowly in either direction. The DA180 can also be adjusted to bring the door back quickly in one direction and slowly in the other direction. Alternatively, by reversing the tension on the DA180, the spring can be set to bring the door back to the centre position from one direction but assist in opening the door in the other direction. The DA180 has multiple tension settings and adjustments can be made without having to take the door off.

An added advantage of the DA180 is its appearance; aesthetically pleasing to the eye, it is sleek and has clean lines. Cost effective and highly functional, it is a real and effective alternative to traditional and unsightly double action closers and expensive pivot sets. It's guaranteed for 2 years and available in a range of finishes; the Justor DA180 is hard to overlook.



Ideal for welding onto metal jambs & doors

316 marine grade ideal for sea air environments

DA180 Range Quick Facts:

- Spring Resistance + 500,000 cycles
- Resistant to extreme Climatic Conditions (Cold and Humidity)
- Maximum resistance to bending
- Torsion Spring not a Coil Spring
- Up to 95Kg in Door Weight Per Door
- Variable Door Movement Strength
- Highly Efficient 180° Working Aperture
- Solid and Stylish Design
- For Wood, Aluminium or metal Doors
- Ideal for Restaurants and Kitchens
- No Periodical Greasing Required
- 2 Year Manufacturer's Guarantee

Order Codes:

Base Material: Aluminium

- BIDA180AAS - Anodized Silver (max 50mm thick door)
- BIDA180AS - Anodized Silver (max 40mm thick door)
- BIDA180BLK - Anodized Black (max 40mm thick door) - **new**
- BIDA180WHT - Aluminium PC White (max 40mm thick door) - **new**
- BIDA180AB - Anodized Bronze (max 40mm thick door) (by Request)
- BIDA180AG - Anodized Gold (max 40mm thick door) (by Request)
- BIDA180EAS - Anodized Silver (max 30mm thick door)
- BIDA180EAB - Anodized Bronze (max 30mm thick door)

Base Material: Stainless Steel

- BIDA180SS - 304 Marine Grade SS (max 40mm thick door)
- BIDA180S3 - 316 Marine Grade SS (max 40mm thick door) - **new**

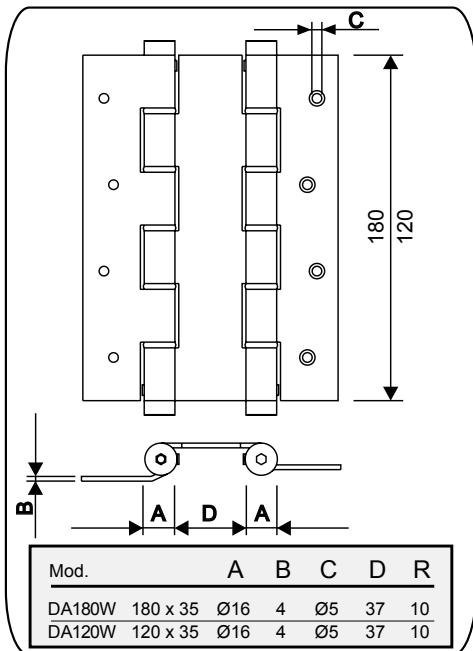
Base Material: Zinc

- BIDA180ZP - Zinc (max 40mm thick door) - **new**

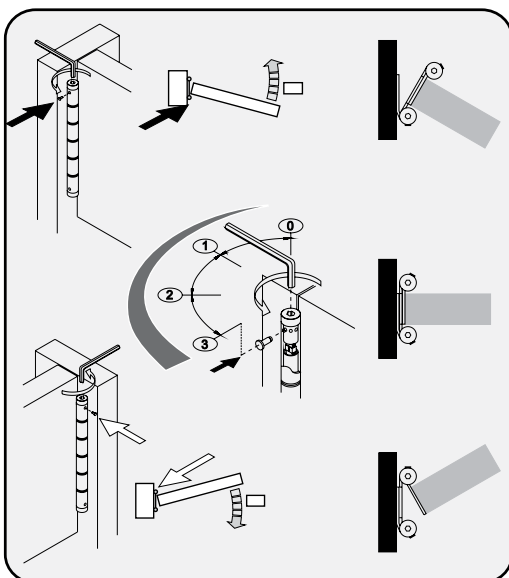
Spring Hinge DA120W & DA180W Technical Data

Aluminium **Wall Mounted** - No Jamb required

Dimensions of the DA120W & DA180W

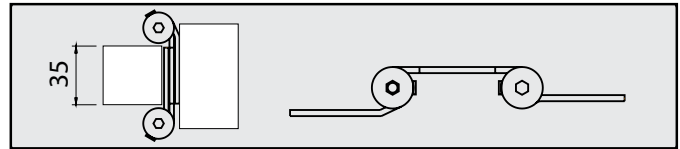


Adjustment of the DA120 & 180W:



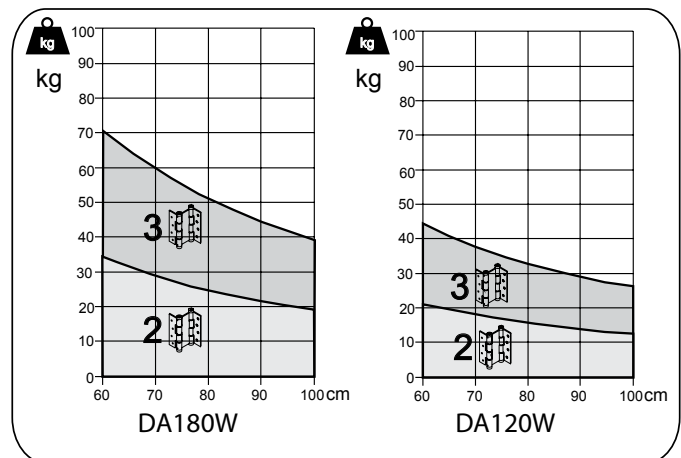
Multiple adjustment points for increasing or decreasing the spring's tension. Simple function, pull pin, turn head with allen key and replace pin. No need to remove door.

DA120W & DA180W Door Thickness & Design:



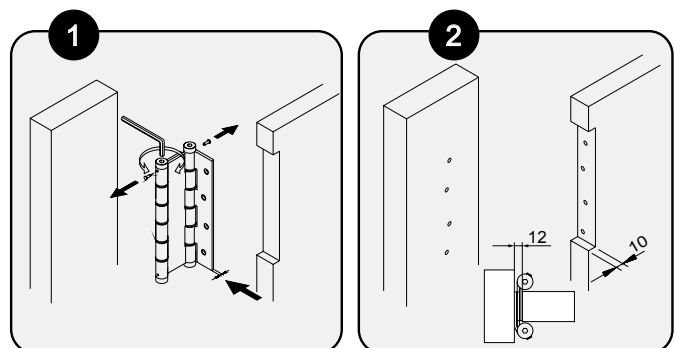
The DA120 & 180W Justor spring hinge is suitable for doors from 25 to 35mm thick. As indicated in the above drawing, the hinge has a flat back which sits behind the hinges two knuckles allowing it to be fixed to any flat surface.

Number of hinges required per door:



Based on a sliding scale, typical number of hinges per door starts at 2 increasing to 3 based on the graph above. For doors that require 3 hinges, please fit the 1st hinge at top, the 2nd placed 5cm below 1st hinge and the 3rd hinge at bottom.

Installation of the DA120 & 180W:



Easy 2 step installation process. Step 1, cut rebate into door, insert allen key into head of hinge remove pin, turn to release tension, reinsert pin. Step 2, screw hinge to door & wall jam, re-adjust tension. Easy. You're done.

Spring Hinge DA120W & DA180W Functional Data Aluminium Wall Mounted - No Jamb required

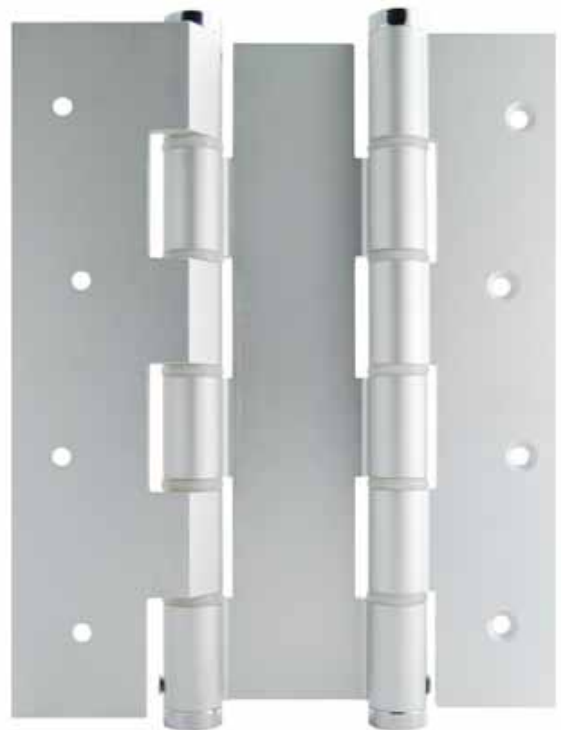
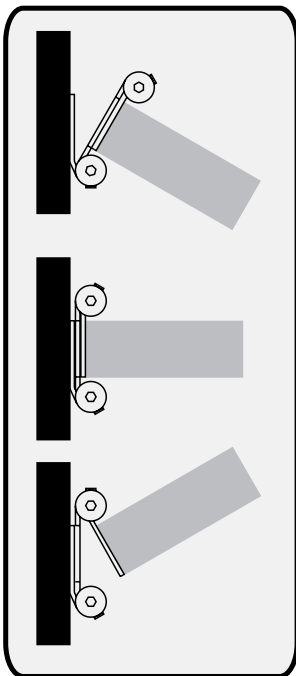
Unlike traditional double action hinges which require a jamb to mount onto, the new DA120W & 180W does not. Due to its revolutionary design, the new "DA120W & DA180W" Double Action Spring Hinge from Justor of Spain now [mounts directly to a flat surface](#). No need to build out the wall or the jamb to cater for the knuckles of the hinge. Screw straight onto the wall. Simple, clean and easy....

What makes the DA120W & DA180W totally unique is its revolutionary design. Specifically engineered to cater for doors where the traditional jamb for the hinge to be mounted to does not exist. With this fact in mind, the DA120W & 180W opens up endless possibilities to where you can hang a door and how the door and wall can be designed with aesthetics of the environment in mind.

Ideal for internal or external applications, wherever a dual swing door (a door that swings in both directions such as a pivot door does) needs to return to a centre position without assistance. Designed to automatically close doors with a subtle visual appearance. Its sleek, stylish and simple design makes it ideal for all environments. Made in Spain by Justor, the DA120W & DA180W are highly functional and totally adjustable to bring the door back quickly or slowly..

The Justor DA120W & DA180W has multiple tension settings for variable closure speed and adjustments can be made without having to take the door down. Guaranteed for 2 years and stocked locally in large quantities by Bellevue in Melbourne; the Justor DA120W & DA180W is hard to overlook.

Wall Mounted - No Jamb !



DA 120W & 180W Range Quick Facts:

- Spring Resistance + 500,000 cycles
- Automatically Closes Door
- Stainless Steel AISI 304 spring blades
- Resistant to extreme Climatic Conditions (Cold and Humidity)
- Maximum resistance to bending
- Torsion Spring not a Coil Spring
- Variable Closing Strength (speed)
- Highly Efficient 180° Working Aperture
- Solid and Stylish Design
- For Wood or Aluminium Doors
- Slim Profile vs.. Bulky Door Closer
- Quick & Simple Installation
- No Periodic Greasing Required
- Manufactured in Spain and comes with a 2 Year Manufacturer's Guarantee

Order Codes:

- BIDA180WAS - Anodized Silver (Max. 35mm thick door)
- BIDA120WAS - Anodized Silver (Max. 35mm thick door)

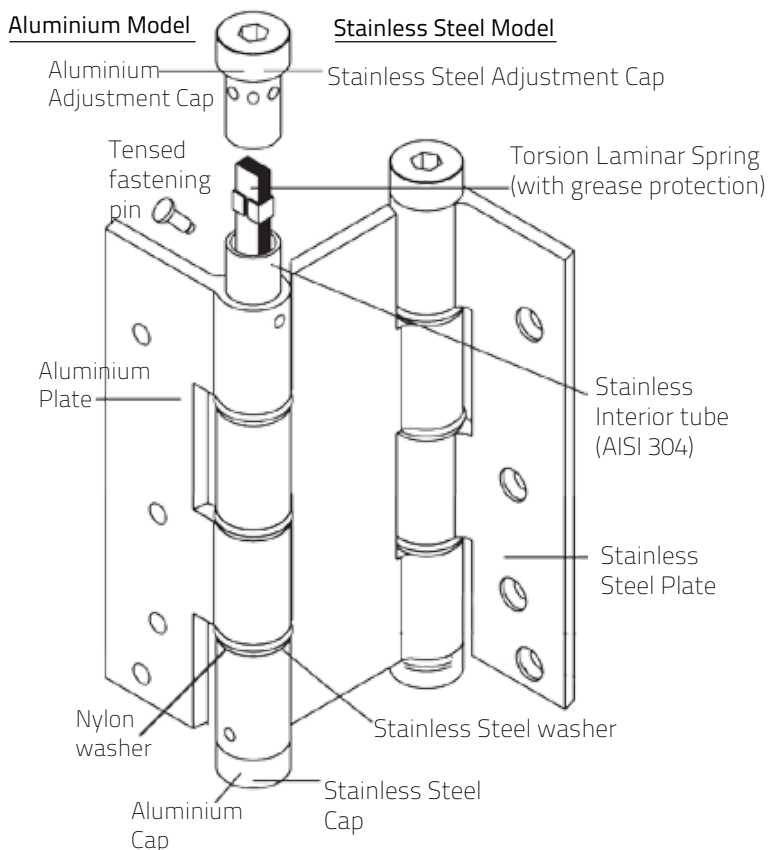
Reliability:

The Justor range of single and double action spring hinges have been fully tested and are certified to over 500,000 cycles of use and comes with a 2 year guarantee.

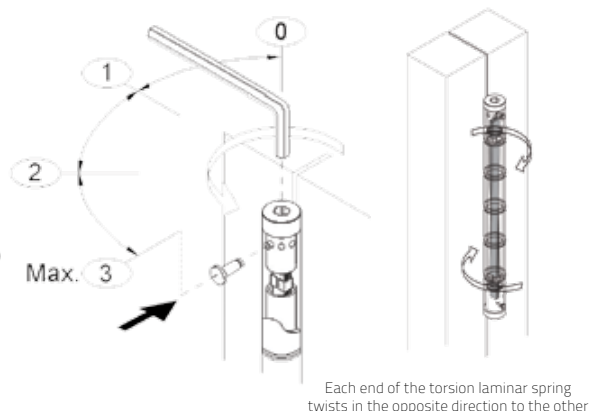
Spring Hinge DA120 Technical Data

Aluminium & 304 Stainless Steel

Anatomy of a Small Double Action Spring Hinge:



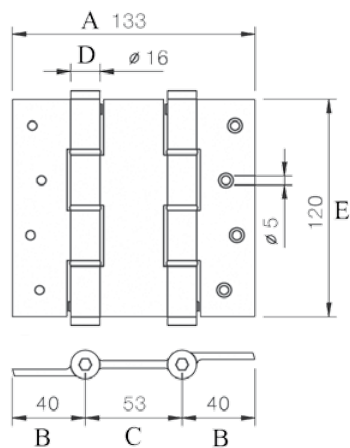
DA120 Adjustment Instructions:



Dimensional Information:

All measurements in mm

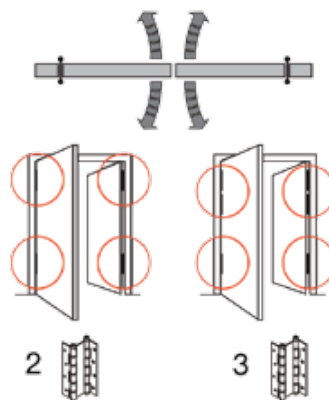
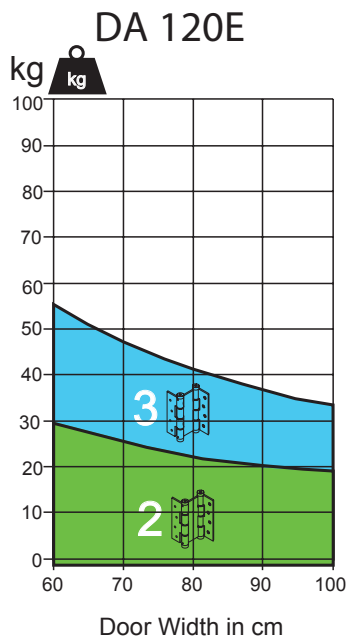
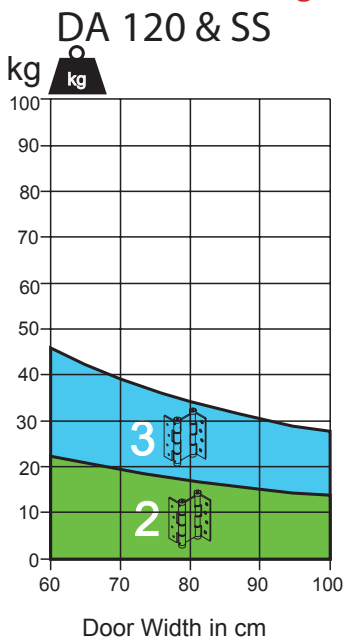
Model	DA120 SS	DA120 A	DA120 E
A	133	133	101
B	40	40	29.5
C	53	53	42
D	∅17	∅16	∅16
E	120	120	120
Leaf Thickness			
	3	4	4
Max Door Thickness			
	40	40	30



Where DA120 is being used

- Residential Environments
- Apartments Buildings
- Hotels of All Sizes
- Commercial Environments
- Industrial Estates
- Hospitals
- Restaurant Kitchens
- Boats, Cars & Trains

Number of Hinges Required and Position



Spring Hinge DA120 Functional Data Aluminium & 304 Stainless Steel

No need for unsightly door closers or expensive pivot kits, the DA120 Double Action Spring Hinge is sleek, stylish and simple.

Made in Spain by Justor the DA120 is highly functional and totally adjustable, ideal for all light weight or small doors that weigh up to 55Kg (refer graph). The DA120 double action spring hinge is to bring back to the centre position a door that swings open in both directions i.e. a kitchen door in a restaurant.

The DA120 Double Action Spring Hinge is an extension of the enormously popular larger DA180 Double Action Spring Hinge. It's the same in all respects, just smaller. It's been designed to provide the same functionality as the DA180 but on lighter weight doors. The DA120 is ideal for internal or external applications, wherever a dual swing door needs to return to a centre position without assistance. Once installed the DA120 spring hinge can be adjusted to bring the door back quickly or slowly in either direction.

The DA120 has multiple tension settings and adjustments can be made without having to take the door off.

An added advantage of the DA120 is its appearance; it is sleek and has clean lines. The DA120 represents a smarter option when it comes to design and aesthetics. It also is significantly cheaper than some traditional options. Guaranteed for 2 years and available in a ranges of finishes; the Justor DA120 is hard to overlook.

The Justor DA120 a smaller smarter choice.



Anodized Silver



Stainless Steel

DA180 Range Quick Facts:

- Spring Resistance + 500,000 cycles
- Resistant to extreme Climatic Conditions (Cold and Humidity)
- Maximum resistance to bending
- Torsion Spring not a Coil Spring
- Up to 55Kg in Door Weight Per Door
- Variable Door Movement Strength
- Highly Efficient 180° Working Aperture
- Solid and Stylish Design
- For Wood, Aluminium or metal Doors
- Ideal for Restaurants and Kitchens
- No Periodical Greasing Required
- 2 Year Manufacturer's Guarantee

Order Codes:

- BIDA120SS - Stainless Steel
- BIDA120AS - Anodized Silver
- BIDA120AB - Anodized Bronze
- BIDA120AG - Anodized Gold (by Request)
- BIDA120EAS - Narrow Anodized Silver
- BIDA120EAB - Narrow Bronze (by Request)

DA120 Range Quick Facts:

No need for unsightly door closers or expensive pivot kits. Due to its smart construction it is a small diameter hinge that is totally adjustable in both directions and comes with a 2 year guarantee. It can carry up to 55Kg in door weight.

[The DA120, the smart choice](#)